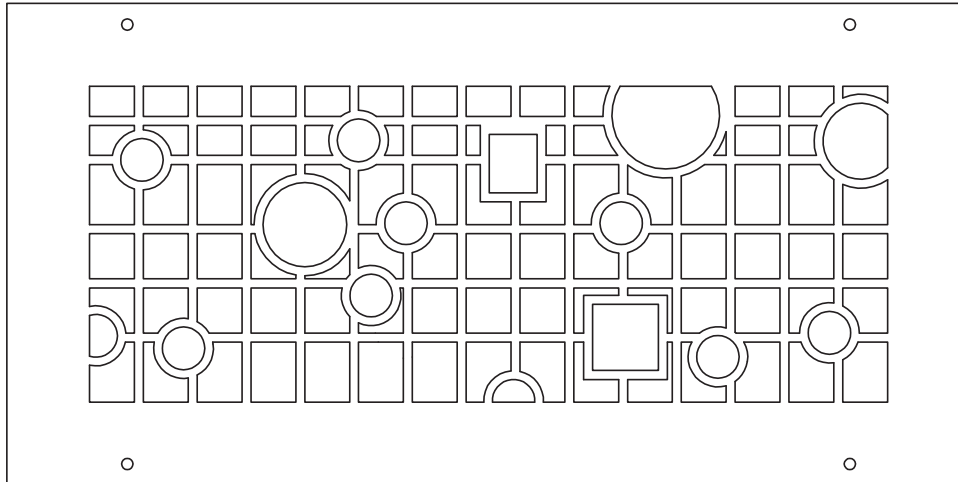
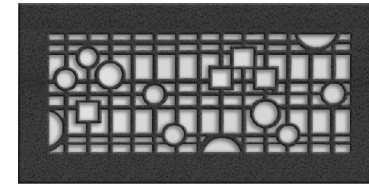
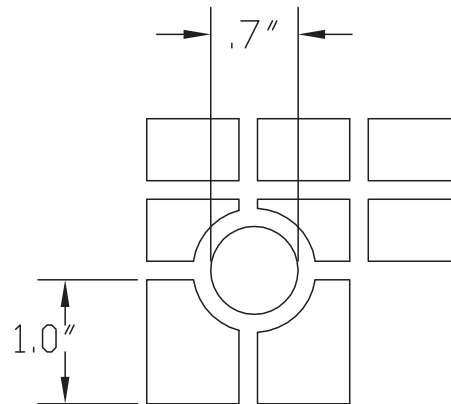


## PATTERN DETAIL MEASUREMENTS

NOTE: measurements are approximate and will vary with register size.



## CONTEMPORARY DESIGN AIR FLOW / PERFORMANCE DATA

Velocity	250	500	750	1000	1500
Static Pressure	0.009	0.018	0.027	0.036	0.055
SIZE	CUBIC FEET PER MINUTE (CFM)				
6x6 (.25ft <sup>2</sup> )	45	92	135	185	275
8x8 (.44ft <sup>2</sup> )	80	160	240	320	480
10x10 (.69ft <sup>2</sup> )	125	250	375	500	750
12x12 (1.0ft <sup>2</sup> )	180	360	540	720	1100
14x14 (1.36ft <sup>2</sup> )	245	490	735	980	1470
8x6 (.33ft <sup>2</sup> )	60	120	180	240	360
10x6 (.42ft <sup>2</sup> )	75	150	225	300	450
12x6 (.5ft <sup>2</sup> )	90	180	270	360	540
14x6 (.58ft <sup>2</sup> )	105	210	315	420	630
16x6 (.67ft <sup>2</sup> )	120	240	360	480	720
18x6 (.75ft <sup>2</sup> )	135	270	405	540	810
20x6 (.83ft <sup>2</sup> )	150	300	450	600	900
10x8 (.56ft <sup>2</sup> )	100	200	300	400	600
12x8 (.67ft <sup>2</sup> )	120	240	360	480	720
14x8 (.78ft <sup>2</sup> )	140	280	420	560	840
8x4 (.22ft <sup>2</sup> )	40	80	120	160	240
10x4 (.28ft <sup>2</sup> )	50	100	150	200	300
12x4 (.33ft <sup>2</sup> )	60	120	180	240	360



MATERIAL: 11 GAUGE STEEL

ABOVE DIMENSIONS ARE IN INCHES

FINISH: TO BE DETERMINED

OVERALL OPENNESS, CONTEMPORARY PATTERN, 65%

PROJECT:

SCALE	NONE
DRAWN	DL
DATE	10-18-06
Q.A.	
COMMENTS	

## CONTEMPORARY DESIGN

THIS INFORMATION CONTAINED IN THIS DRAWING IS THE SOLE PROPERTY OF STEELCREST CORPORATION. ANY REPRODUCTION IN PART OR AS A WHOLE WITHOUT WRITTEN PERMISSION OF STEELCREST CORPORATION IS PROHIBITED

Contemporary ~ Submittal Sample