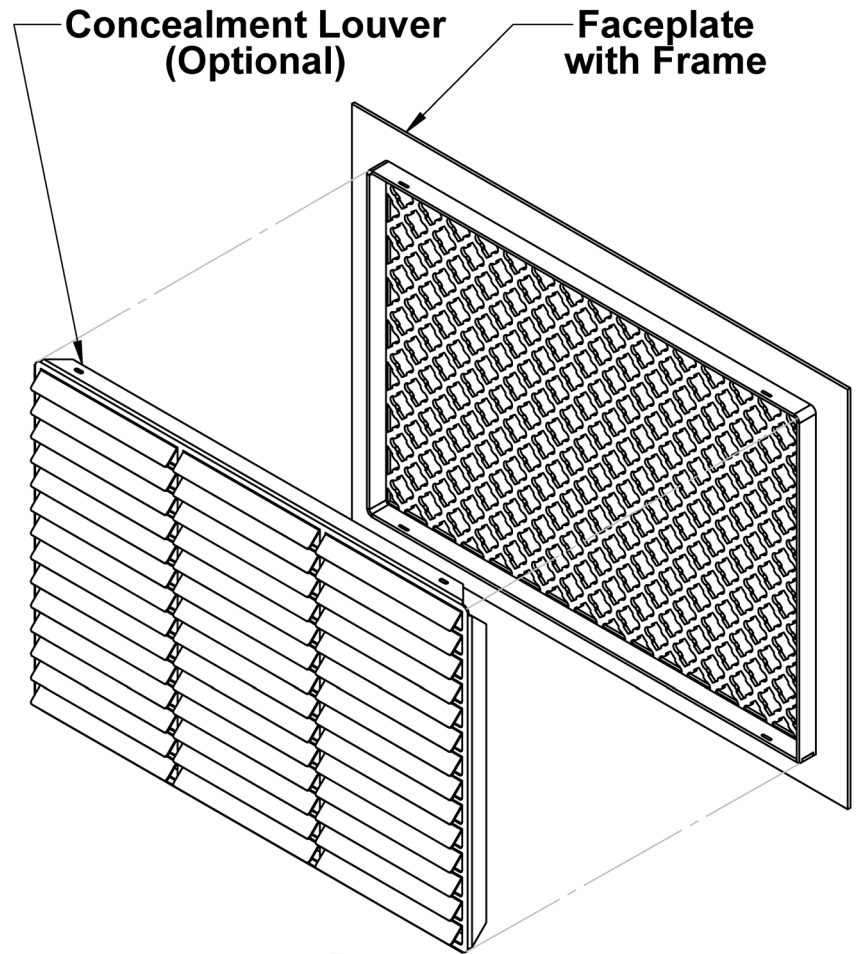


**Front**



**Rear**

**General Return Submittal**

APPROVED/NO REVISION

APPROVED WITH REVISIONS NOTED

REVISE AND RESUBMIT



MATERIAL:  
 ABOVE DIMENSION ARE IN INCHES  
 Cust:  
 PO#

TOLERANCE: +/-0.0625  
 DRAWN BY:  
 REVISED BY:  
 DATE:

Client Approval/Date

**X**

THIS INFORMATION CONTAINED IN THIS DRAWING IS THE SOLE PROPERTY OF STEELCREST CORPORATION. ANY REPRODUCTION IN PART OR AS A WHOLE WITHOUT WRITTEN PERMISSION OF STEELCREST CORPORATION IS PROHIBITED.

SHEET 1 OF 1

Rev: